

VTS-Series Scotch Yoke Actuator



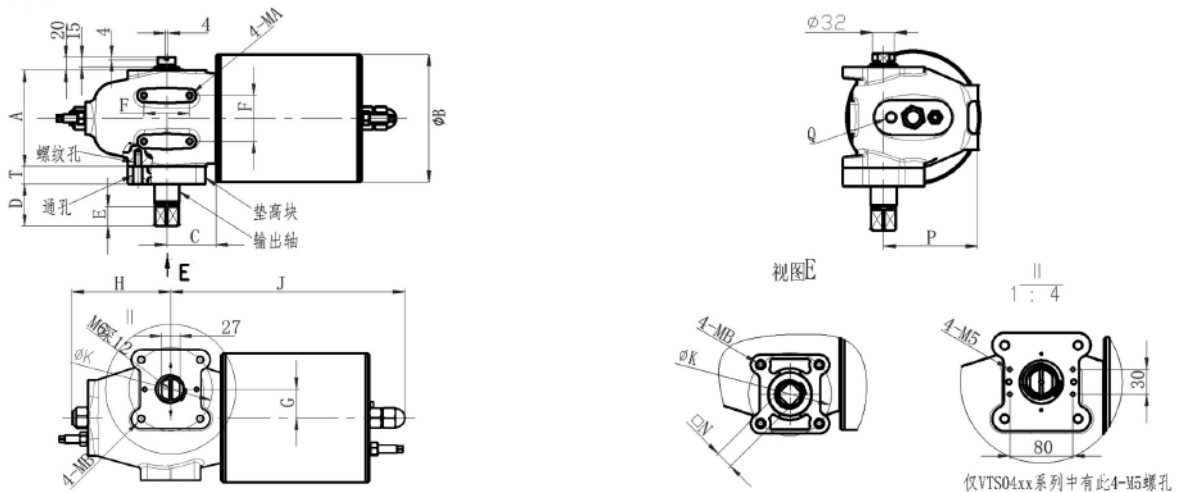
E01

Spring Return Acting

Model	Spring Torque (Nm)		Output Torque (Nm)								
			3 Bar	3.5 Bar	4 Bar	4.5 Bar	5 Bar	5.5 Bar	6 Bar	7 Bar	8 Bar
VTS03-125-SR3	Start	308		235	305	375	444	514	584	723	862
	Run	140		101	137	173	210	246	282	355	427
	End	232		152	222	292	361	431	500	640	779
VTS03-125-SR2	Start	423					369	439	509	648	787
	Run	188					158	194	230	303	375
	End	301					236	305	375	514	654
VTS03-125-SR1	Start	559						376	446	585	725
	Run	239						139	175	248	320
	End	358						157	227	366	505
VTS03-160-SR3	Start	507	277	392	507	623	738	853	969	1199	
	Run	231	109	169	229	289	349	409	469	589	
	End	381	140	255	371	486	601	716	832	1062	
VTS03-160-SR2	Start	709			378	493	608	724	839	1070	1300
	Run	315			137	197	258	318	378	498	618
	End	500			150	266	381	496	611	842	1073
VTS03-160-SR1	Start	928						621	737	967	1198
	Run	396						229	289	409	529
	End	594						258	373	604	834
VTS03-180-SR3	Start	643	353	499	646	792	938	1085	1231		
	Run	293	138	214	291	367	443	519	595		
	End	483	178	324	471	617	764	910	1056		
VTS03-180-SR2	Start	915			481	627	773	920	1066		
	Run	403			171	247	323	399	476		
	End	634			175	321	468	614	761		
VTS03-180-SR1	Start	1170						803	949	1242	
	Run	498						296	373	525	
	End	742						336	483	775	
VTS04-180-SR3	Start	816		637	818	999	1180	1361	1542	1903	2265
	Run	363		264	358	452	547	641	735	923	1112
	End	578		378	559	739	920	1101	1282	1644	2005
VTS04-180-SR2	Start	1154					1004	1185	1366	1728	2090
	Run	493					405	499	594	782	970
	End	739					552	733	914	1276	1637
VTS04-180-SR1	Start	1487							1252	1614	1976
	Run	606							470	658	846
	End	843							552	914	1275
VTS04-200-SR3	Start	1012	573	797	1022	1246	1470	1694	1918	2366	
	Run	448	212	329	446	563	679	796	913	1146	
	End	709	243	467	691	915	1139	1364	1588	2036	
VTS04-200-SR2	Start	1434					1255	1479	1703	2152	2600
	Run	609					504	620	737	970	1204
	End	906					680	904	1128	1577	2025
VTS04-200-SR1	Start	1897						1549	1997	2445	
	Run	767						566	799	1032	
	End	1048						624	1072	1521	
VTS04-220-SR3	Start	1222	700	972	1244	1516	1787	2059	2331		
	Run	541	260	402	544	685	827	968	1110		
	End	856	301	573	845	1117	1388	1660	1932		
VTS04-220-SR2	Start	1751					1541	1813	2085	2628	
	Run	738					613	754	896	1179	
	End	1083					813	1085	1357	1901	
VTS04-220-SR1	Start	2309							1908	2451	
	Run	925							692	975	
	End	1245							750	1294	
VTS04-260-SR3	Start	1731	989	1370	1751	2132	2514				
	Run	761	362	561	759	958	1156				
	End	1193	402	784	1165	1546	1927				
VTS04-260-SR2	Start	2497					2181	2563			
	Run	1040					853	1051			
	End	1498					1094	1475			
Model	Spring Torque(Nm)	3 Bar	3.5 Bar	4 Bar	4.5 Bar	5 Bar	5.5 Bar	6 Bar	7 Bar	8 Bar	

Model		Output Torque (Nm)								
		3 Bar	3.5 Bar	4 Bar	4.5 Bar	5 Bar	5.5 Bar	6 Bar	7 Bar	8 Bar
VTS03-125	Start/End	418	488	557	627	697	766	836	975	1115
	Run	218	254	290	326	363	399	435	508	580
VTS03-160	Start/End	692	807	922	1038	1153	1268			
	Run	360	420	480	540	600	660			
VTS03-180	Start/End	878	1025	1171						
	Run	457	534	610						
VTS04-180	Start/End	1085	1266	1447	1628	1809	1990	2170	2532	
	Run	565	659	753	847	942	1036	1130	1318	
VTS04-200	Start/End	1345	1569	1793	2017	2241	2465	2690		
	Run	700	817	933	1050	1167	1283	1400		
VTS04-220	Start/End	1632	1904	2176	2447	2719				
	Run	849	991	1133	1274	1416				
VTS04-260	Start/End	2287	2669							
	Run	1191	1389							

Dimension Drawing



Dimension Sheet

Model	Dimension (mm)																容积 L	重量 Kg
	A	ΦB	C	D	E	F	G	H	J	ΦK	□N	P	Q	T	MA	MB		
*VTS03-125	146	132	82	64	30	70	43	148	351	125	27	137	RC3/8	0	M10	M12	3.4	21
VTS03-160	146	170	82	64	30	70	43	148	351	125	27	137	RC3/8	27	M10	M12	4.5	28
VTS03-180	146	194	82	64	30	70	43	148	351	125	27	137	RC3/8	27	M10	M12	5.4	32
*VTS04-180	212	194	98	84	40	100	52	190	424	140	36	173	RC1/2	0	M12	M16	9	48
VTS04-200	212	213	98	84	40	100	52	190	424	140	36	173	RC1/2	34	M12	M16	10.2	44
VTS04-220	212	235	98	84	40	100	52	190	424	140	36	173	RC1/2	34	M12	M16	11.4	59
VTS04-260	212	273	98	84	40	100	52	190	424	140	36	173	RC1/2	34	M12	M16	14.2	66

Note:

1. Volume is defined as the water volume of the whole air chamber after the actuator spring is compressed to the full stroke;
2. The model with "*" does not need to have a pad height block (so the T size is 0).



VTOR[®] Technology (Wuxi) Co., Ltd.

No.55 Lianhe Road, Hudai Industrial Park, Binhu District, Wuxi, Jiangsu Province, China

电话|Tel: 0510-85581533 传真|Fax: 0510-85581532 电邮|E-mail: info@vtork.cn 网址|Website: www.vtork.cn

20210303E01