



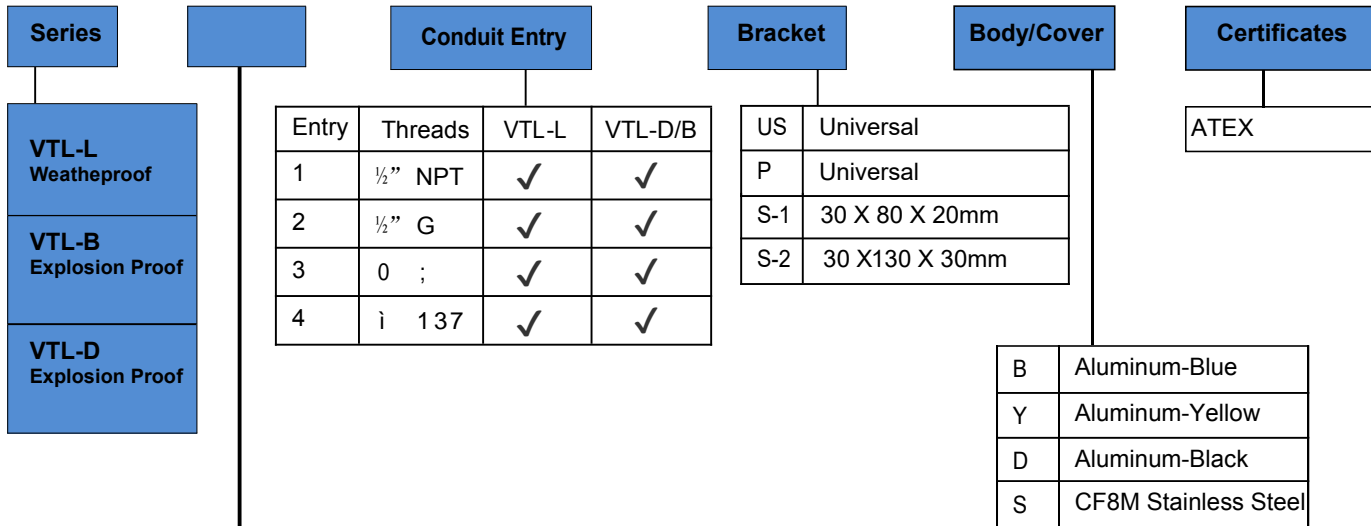
VTL Series Limit Switch Box



High performance and high reliability
Fully compliant with the latest international standards and regulations
More applicable to a wide range of specifications and higher cost performance
Compact design is better suited for a variety of industrial applications



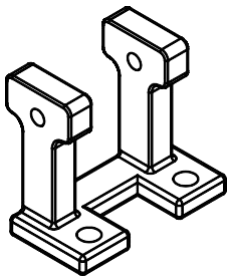
Limit Switch Ordering Code Options



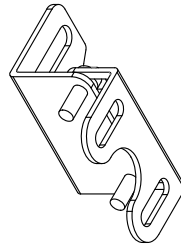
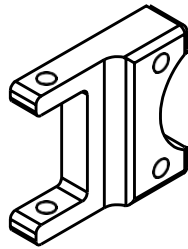
编号	生产商	规格
200	Donghai	SPDT Mech, AC/DC, 10A
210	Donghai	SPDT Mech, AC/DC, 16A
220	Cherry	SPDT Mech, AC/DC, 15A
230	P & F	Prox - IS, DC, 8mA
231	P & F	Prox - IS, DC, 100mA
232	P & F	Prox - Non IS, DC, 100mA, LED
233	P & F	Prox - Non IS, DC, 100mA
234	P & F	Prox - Non IS, AC, 200mA
235	P & F	Prox - IS, DC, 3 mA
236	P & F	Prox - Non IS, DC, 100mA
237		SPDT +4-20mA Position Transmitter
300	Donghai	DPDT Mech, AC/DC, 10A
310	Donghai	DPDT Mech, AC/DC, 15A
320	Cherry	DPDT Mech, AC/DC, 5A
330	Cherry	DPDT Mech, AC/DC, 15A
400	Donghai	SPDT Mech, AC/DC, 5A
500	Comus	Sealed Prox, AC/DC, 2A
510	Comus	Sealed Prox, AC/DC, 20A

Mounting Bracket Ordering Code Options

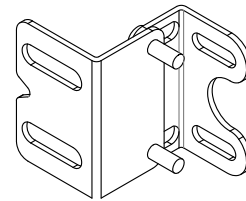
Brackets are supplied with fasteners for top and bottom, to fit standard actuator ISO threads.



PA66

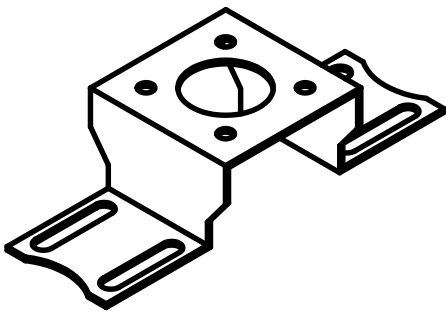


SS304

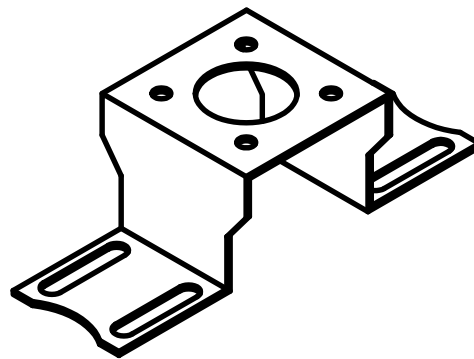


Universal Bracket

CODE	BRACKET MATERIAL	ISO SIZE	ACTUATOR MODELS
P	PA66	30mm X 80mm X 20mm	All Models
US	SS304	30mm X 130mm X 30mm	



S-1



S-2

One-piece Bracket

CODE	BRACKET MATERIAL	ISO SIZE	ACTUATOR MODELS
S-1	SS304	30mm X 80mm X 20mm	VT50 through VT110
S-2	SS304	30mm X 130mm X 30mm	VT125 through VT400

VTL- L-Weather Proof Series



FEATURES

- Aluminum die cast enclosure, powder coated for superior corrosion resistance
- Weather proof enclosure to IP68
- Poly carbonate Dome, Shatterproof
- Red and Yellow/Green Indicator
- Color coded cams easy to identify, and easy to set
- Serrated cams locked together ensures adjusted settings secured against any vibration
- Special circuit board eliminates internal wiring
- Circuit board laminated for complete corrosion protection
- Solenoid termination inside the switch box is standard
- Three conduit entries provided as standard
- Conduit entry options : ½" NPT, ½" G, M20X1.5, ¾" NPT
- Complies to Namur mounting standard
- Temperature range -15°C to 80°C
- Bracket available as option



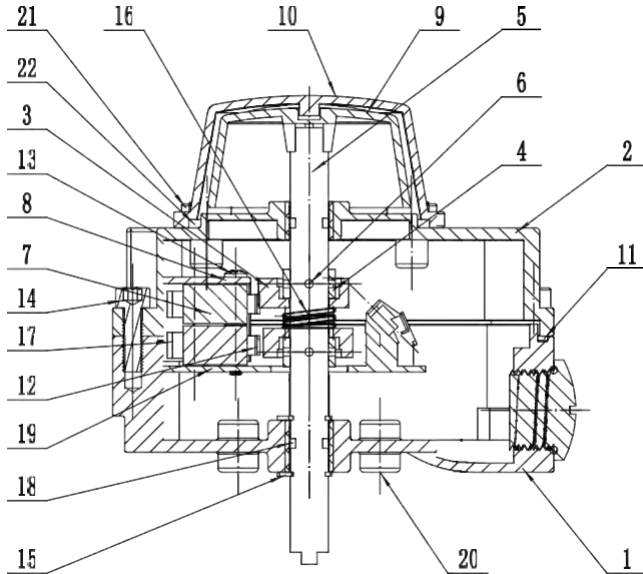
ORDERING OPTIONS

Series	Switch	Conduit Entry	Bracket	Body/Cover	Certificates																										
VTL-L Weatherproof		<table border="1"> <thead> <tr> <th>Entry</th> <th>Threads</th> <th>VTL-L</th> </tr> </thead> <tbody> <tr> <td>1</td> <td>½" NPT</td> <td>✓</td> </tr> <tr> <td>2</td> <td>½" G</td> <td>✓</td> </tr> <tr> <td>3</td> <td>M20X1.5</td> <td>✓</td> </tr> <tr> <td>4</td> <td>¾" NPT</td> <td>✓</td> </tr> </tbody> </table>	Entry	Threads	VTL-L	1	½" NPT	✓	2	½" G	✓	3	M20X1.5	✓	4	¾" NPT	✓	<table border="1"> <tbody> <tr> <td>US</td> <td>Universal</td> </tr> <tr> <td>P</td> <td>Universal</td> </tr> <tr> <td>S-1</td> <td>30 X 80 X 20mm</td> </tr> <tr> <td>S-2</td> <td>30 X130 X 30mm</td> </tr> </tbody> </table>	US	Universal	P	Universal	S-1	30 X 80 X 20mm	S-2	30 X130 X 30mm	<table border="1"> <tbody> <tr> <td>CE</td> <td></td> </tr> <tr> <td>IP68</td> <td></td> </tr> </tbody> </table>	CE		IP68	
Entry	Threads	VTL-L																													
1	½" NPT	✓																													
2	½" G	✓																													
3	M20X1.5	✓																													
4	¾" NPT	✓																													
US	Universal																														
P	Universal																														
S-1	30 X 80 X 20mm																														
S-2	30 X130 X 30mm																														
CE																															
IP68																															
				<table border="1"> <tbody> <tr> <td>B</td> <td>Aluminum-Blue</td> </tr> <tr> <td>Y</td> <td>Aluminum-Yellow</td> </tr> <tr> <td>D</td> <td>Aluminum-Black</td> </tr> <tr> <td>S</td> <td>CF8M Stainless Steel</td> </tr> </tbody> </table>	B	Aluminum-Blue	Y	Aluminum-Yellow	D	Aluminum-Black	S	CF8M Stainless Steel																			
B	Aluminum-Blue																														
Y	Aluminum-Yellow																														
D	Aluminum-Black																														
S	CF8M Stainless Steel																														

CODE	MAKE	MODEL	RATING
200	Donghai	KW3-0Z-C11A203	10Amp 120 or 250 VAC, 220 VDC 50Hz/60Hz, NO/NC
210	Donghai	KW3-0Z-C11A233	16Amp 120 or 250 VAC, 220 VDC 50Hz/60Hz, NO/NC
220	Cherry	D45X D459-V1LD	15Amp 120 or 250 VAC, 220 VDC 50Hz/60Hz, NO/NC
230	P & F	NJ2 12 GMN	8 VDC, NC
231	P & F	NCB2 12GMN35 NO	8V, 24V, 100 mA, NO IS
232	P & F	NBN4 12GMN40 Z0	6V-24V, 100 mA, NO IS
233	P & F	NCN4 12GMN35 NO	8 VDC, NC
234	P & F	NJ4 12GM50 WO	220VAC 200mA 50/60Hz, NC
235	P & F	NJ2 V3N	8 VDC, 3mA, NCIS
236	P & F	NBB3 V3 Z4	10-60VDC 100mA, NO
300	Donghai	KW3-0Z-B117023	5Amp 120 or 250 VAC, 220 VDC NO/NC
310	Donghai	KW3-0Z-B117053	10Amp 120 or 250 VAC, 220 VDC NO/NC
320	Cherry	D43 CQ1 RA	5Amp 120 or 250 VAC, 220 VDC NO/NC
330	Cherry	D45 CQ1 RA	16Amp 120 or 250 VAC, 220 VDC NO/NC

VTL- L-Weather Proof Series

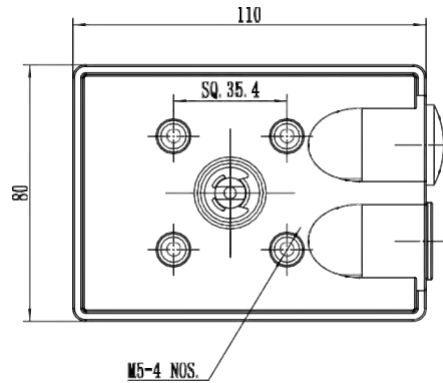
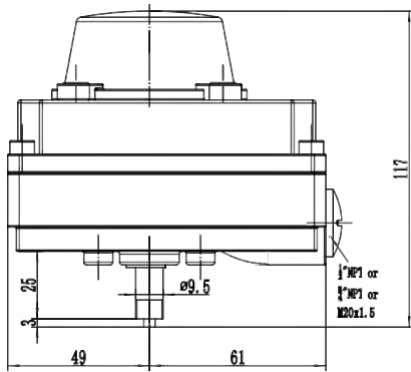
CROSS SECTION



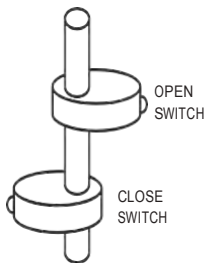
MATERIAL OF CONSTRUCTION

22	'O'RING	1	NBR
21	PHILIPS HEAD SCREW	4	STAINLESS STEEL
20	SCREW FOR EARTHING	2	STAINLESS STEEL
19	CIRCUIT BOARD	1	-
18	'O'RING	2	NBR
17	PAD	1	POLYAMIDE
16	SPRING	1	STAINLESS STEEL
15	'E' TYPE CIRCLIP	1	SPRING STEEL
14	SCREW FOR COVER	4	STAINLESS STEEL
13	SCREW FOR CONN STRIP	2	STAINLESS STEEL
12	SCREW FOR MICROSWITCH	2	STAINLESS STEEL
11	GASKET	1	NBR
10	INDICATOR COVER	1	POLYCARBONATE
9	INDICATOR	1	ABS PLASTIC
8	CONNECTOR STRIP-6WAY	1	POLYIMIDE
7	MSWITCH	2	-
6	SPRING DOWEL	2	SPRING STEEL
5	SHAFT	1	STAINLESS STEEL
4	CAM-LOCK	2	POM
3	CAM	2	POLYCARBONATE
2	COVER	1	ALUMINUM ALLOY
1	HOUSING	1	ALUMINUM ALLOY
S.NO.	DESCRIPTION	QTY.	MATERIAL

DIMENSION DETAILS

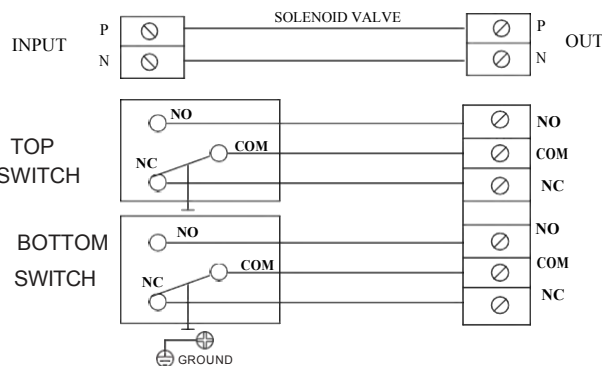


WIRING DIAGRAM



Valve open
Yellow/Green cam

Valve closed
Red cam



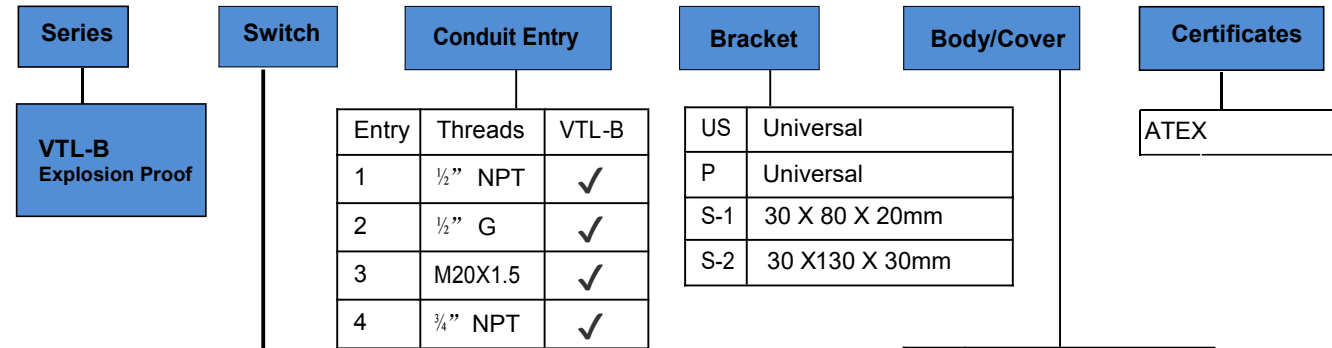
VTL-B -Explosion Proof Series



FEATURES

- Explosion proof to I, IIA, IIB, and IIC
- Aluminum die cast enclosure, powder coated for superior corrosion resistance
- Weather proof enclosure to IP68
- Poly carbonate Dome, Shatterproof
- Red and Yellow/Green Indicator
- Color coded cams easy to identify, and easy to set
- Serrated cams locked together ensures adjusted settings secured against any vibration
- Special circuit board eliminates internal wiring
- Circuit board laminated for complete corrosion protection
- Solenoid termination inside the switch box is standard
- Two conduit entries provided as standard
- Conduit entry options : ½" NPT, ½" G, M20X1.5, ¾" NPT
- Complies to Namur mounting standard
- Temperature range -15°C to 80°C
- Bracket available as option

ORDERING OPTIONS

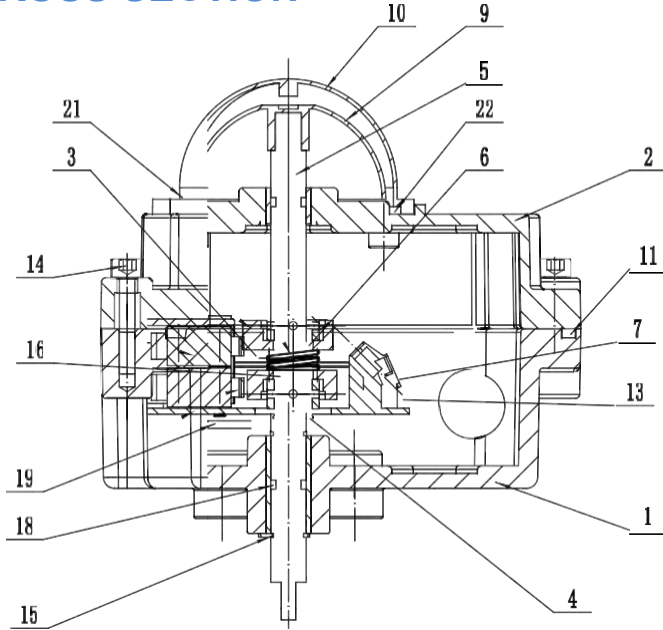


编号	生厂商	型号	规格
200	Donghai	KW3-0Z-C11A203	10Amp 120 or 250 VAC, 220 VDC 50Hz/60Hz, NO/NC
210	Donghai	KW3-0Z-C11A233	16Amp 120 or 250 VAC, 220 VDC 50Hz/60Hz, NO/NC
220	Cherry	D45X D459-V1LD	15Amp 120 or 250 VAC, 220 VDC 50Hz/60Hz, NO/NC
230	P & F	NJ2 12 GMN	8 VDC, NC
231	P & F	NCB2 12GMN35 NO	8V, 24V, 100 mA, NO IS
232	P & F	NBN4 12GMN40 Z0	6V-24V, 100 mA, NO IS
233	P & F	NCN4 12GMN35 NO	8 VDC, NC
234	P & F	NJ4 12GM50 WO	220VAC 200mA 50/60Hz, NC
235	P & F	NJ2 V3N	8 VDC, 3mA, NCIS
236	P & F	NBB3 V3 Z4	10-60VDC 100mA, NO
237			2 x SPDT 16A 125/250VAC Position Transmitter: 4-20mA(output)
300	Donghai	KW3-0Z-B117023	5Amp 120 or 250 VAC, 220 VDC NO/NC
310	Donghai	KW3-0Z-B117053	10Amp 120 or 250 VAC, 220 VDC NO/NC
320	Cherry	D43 CQ1 RA	5Amp 120 or 250 VAC, 220 VDC NO/NC
330	Cherry	D45 CQ1 RA	16Amp 120 or 250 VAC, 220 VDC NO/NC
400	Donghai	KW4-3Z 3B122023	5Amp 120 or 250 VAC, 220 VDC NO/NC

VTORK SERIES LIMITSWITCH

VTL-B -Explosion Proof Series

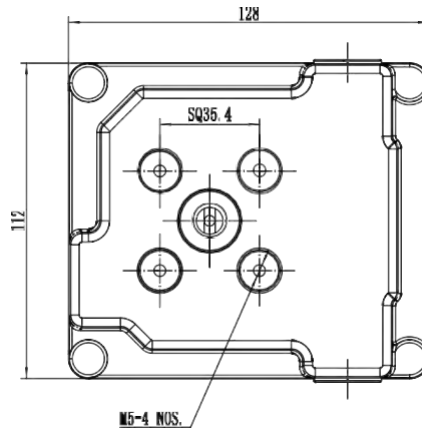
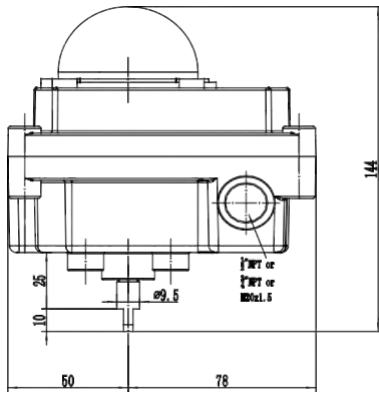
CROSS SECTION



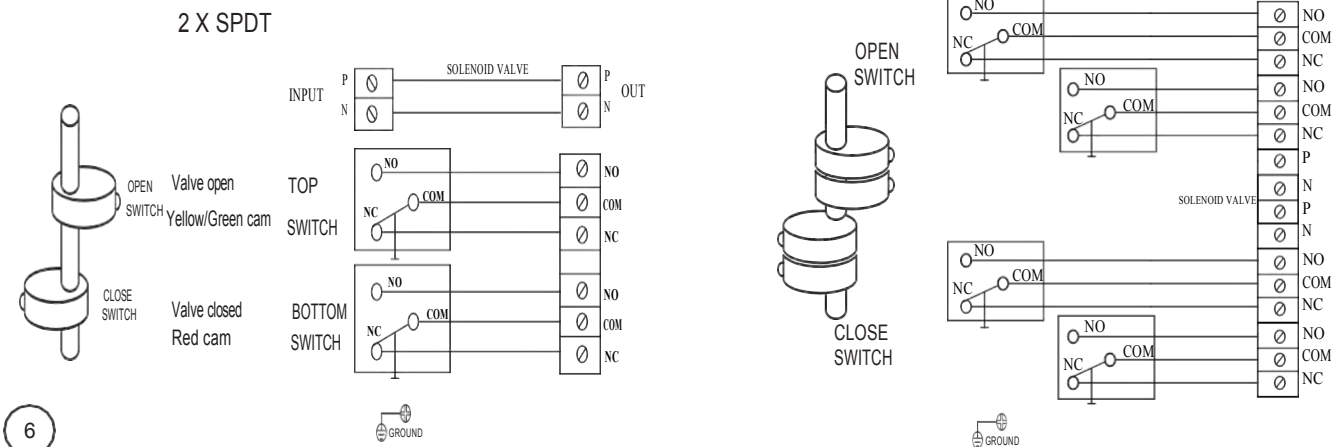
MATERIAL OF CONSTRUCTION

22	'O'RING	1	NBR
21	PHILIPS HEAD SCREW	4	STAINLESS STEEL
20	SCREW FOR EARTHING	2	STAINLESS STEEL
19	CIRCUIT BOARD	1	-
18	'O'RING	2	NBR
17	PAD	1	POLYAMIDE
16	SPRING	1	STAINLESS STEEL
15	'E' TYPE CIRCLIP	1	SPRING STEEL
14	SCREW FOR COVER	4	STAINLESS STEEL
13	SCREW FOR CONN STRIP	2	STAINLESS STEEL
12	SCREW FOR MICROSWITCH	2	STAINLESS STEEL
11	GASKET	1	NBR
10	INDICATOR COVER	1	POLYCARBONATE
9	INDICATOR	1	ABS PLASTIC
8	CONNECTOR STRIP-6WAY	1	POLYIMIDE
7	MICROSWITCH (SPDT)	2	-
6	SPRING DOWEL	2	SPRING STEEL
5	SHAFT	1	STAINLESS STEEL
4	CAM-LOCK	2	POM
3	CAM	2	POLYCARBONATE
2	COVER	1	ALUMINUM ALLOY
1	HOUSING	1	ALUMINUM ALLOY
S.NO.	DESCRIPTION	QTY.	MATERIAL

DIMENSION DETAILS



WIRING DIAGRAM

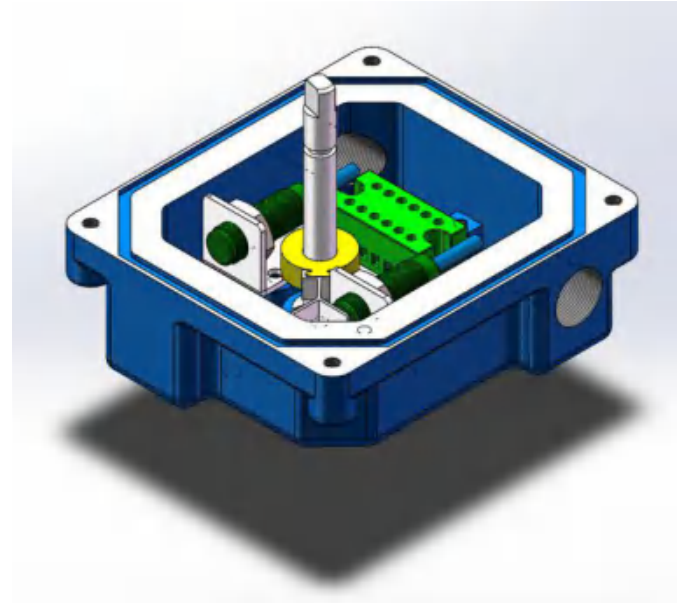


VTL-B -Explosion Proof Cylindrical Prox Switch With Option for Intrinsically Safe Switch

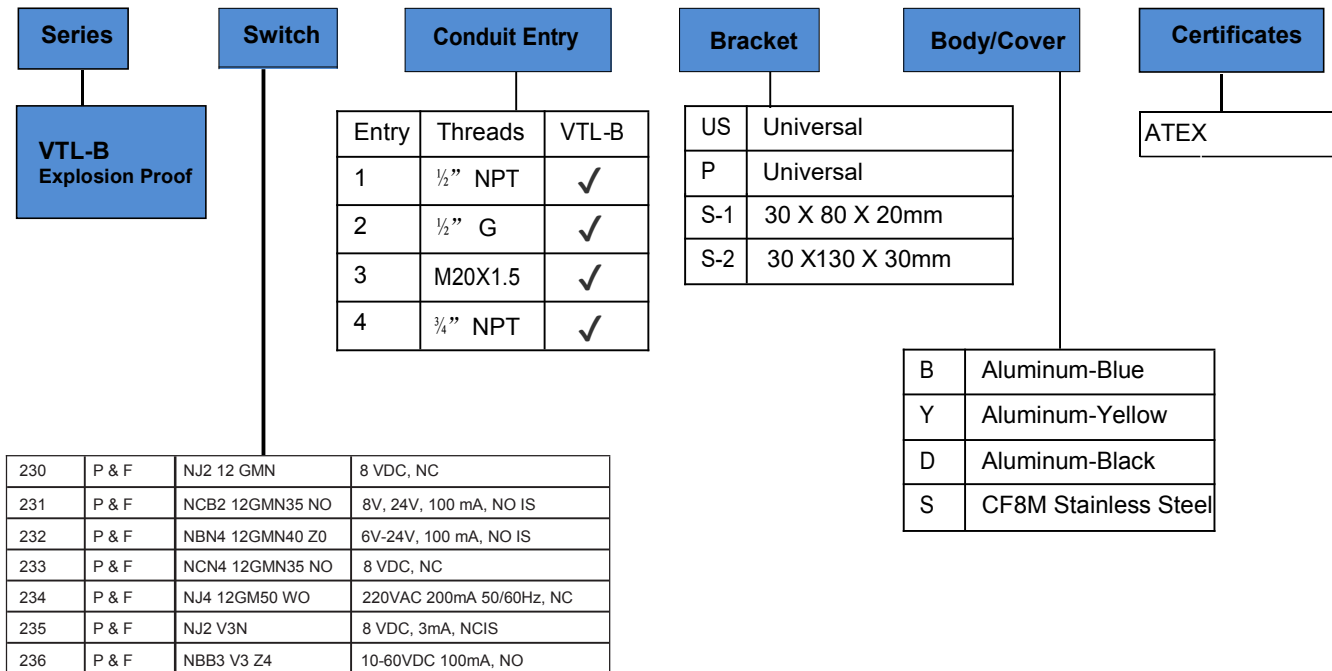


FEATURES

- Intrinsically safe
- Cylindrical inductive proximity sensors (Eexia)
- Explosion proof to I, IIA, IIB, and IIC
- Aluminum die cast enclosure, powder coated for superior corrosion resistance
- Weather proof enclosure to IP68
- Poly carbonate Dome, Shatterproof
- Red and Yellow/Green Indicator
- Color coded cams easy to identify, and easy to set
- Serrated cams locked together ensures adjusted settings secured against any vibration
- Switch box conforms to Ex d IIC, T6 highest level of safety
- Circuit board laminated for complete corrosion protection
- Solenoid termination inside the switch box is standard
- Two conduit entries provided as standard
- Conduit entry options : ½" NPT, ½" G, M20X1.5, ¾" NPT
- Temperature range -15°C to 80°C
- Bracket available as option

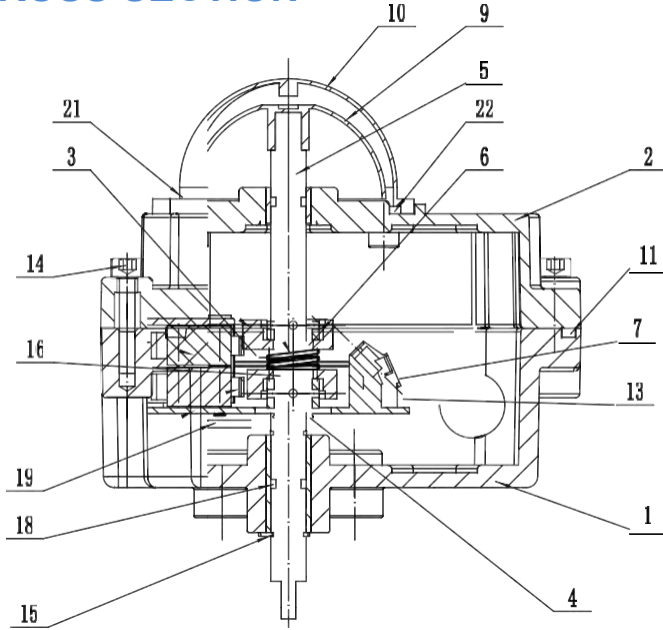


ORDERING OPTIONS



VTL-B -Explosion Proof Cylindrical Prox Switch With Option for Intrinsically Safe Switch

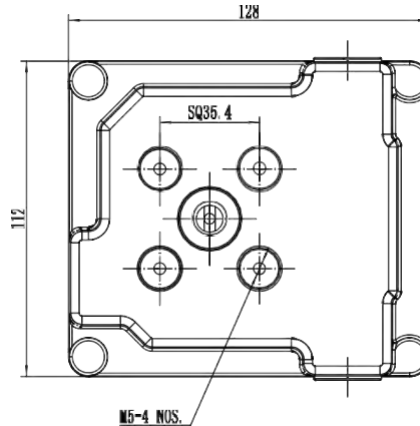
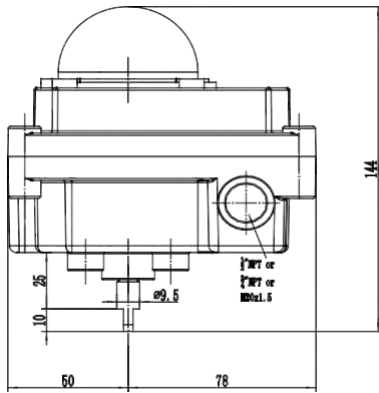
CROSS SECTION



MATERIAL OF CONSTRUCTION

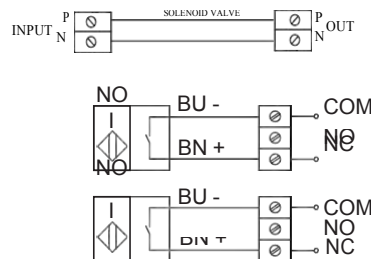
22	O'RING	1	NBR
21	PHILIPS HEAD SCREW	4	STAINLESS STEEL
20	SCREW FOR EARTHING	2	STAINLESS STEEL
19	CIRCUIT BOARD	1	-
18	O'RING	2	NBR
17	BRACKET	1	STAINLESS STEEL
16	SPRING	1	STAINLESS STEEL
15	'E' TYPE CIRCLIP	1	SPRING STEEL
14	SCREW FOR COVER	4	STAINLESS STEEL
13	SCREW FOR CONN STRIP	2	STAINLESS STEEL
12	SCREW FOR MICROSWITCH	2	STAINLESS STEEL
11	GASKET	1	NBR
10	INDICATOR COVER	1	POLYCARBONATE
9	INDICATOR	1	ABS PLASTIC
8	CONNECTOR STRIP-6WAY	1	POLYIMIDE
7	PROIMITY SENSOR	2	-
6	SPRING DOWEL	2	SPRING STEEL
5	SHAFT	1	STAINLESS STEEL
4	CAM-LOCK	2	POM
3	CAM	2	POLYCARBONATE
2	COVER	1	ALUMINUM ALLOY
1	HOUSING	1	ALUMINUM ALLOY
S.NO.	DESCRIPTION	QTY.	MATERIAL

DIMENSION DETAILS



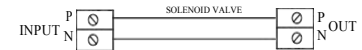
WIRING DIAGRAM

2 WIRE PROXIMITY-NO

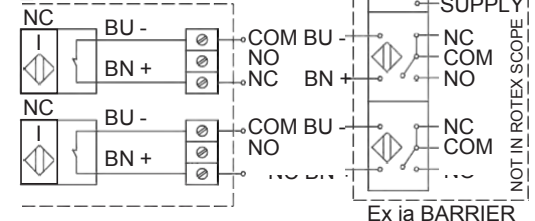


Valve open TOP
Yellow cam SWITCH
Valve closed BOTTOM
Red cam SWITCH

2 WIRE PROXIMITY-NC



HAZARDOUS AREA

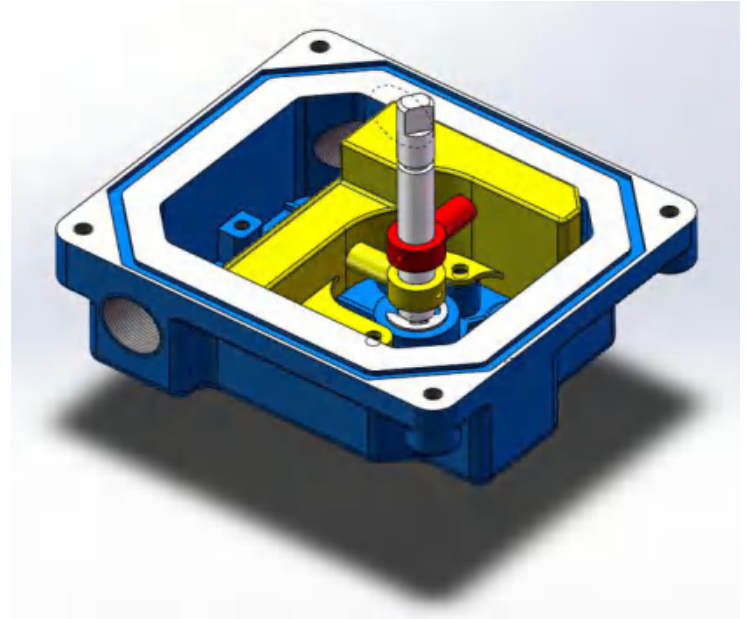


VTL-B -Explosion Proof COMUS sealed SPDT Switch



FEATURES

- Cylindrical inductive proximity sensors (Eexia)
- Explosion proof to I, IIA, IIB, and IIC
- Aluminum die cast enclosure, powder coated for superior corrosion resistance
- Weather proof enclosure to IP68
- Poly carbonate Dome, Shatterproof
- Red and Yellow/Green Indicator
- Color coded cams easy to identify, and easy to set
- Serrated cams locked together ensures adjusted settings secured against any vibration
- Switch box conforms to Ex d IIC, T6 highest level of safety
- Circuit board laminated for complete corrosion protection
- Solenoid termination inside the switch box is standard
- Two conduit entries provided as standard
- Conduit entry options : ½" NPT, ½" G, M20X1.5, ¾" NPT
- Temperature range -15°C to 80°C
- Bracket available as option

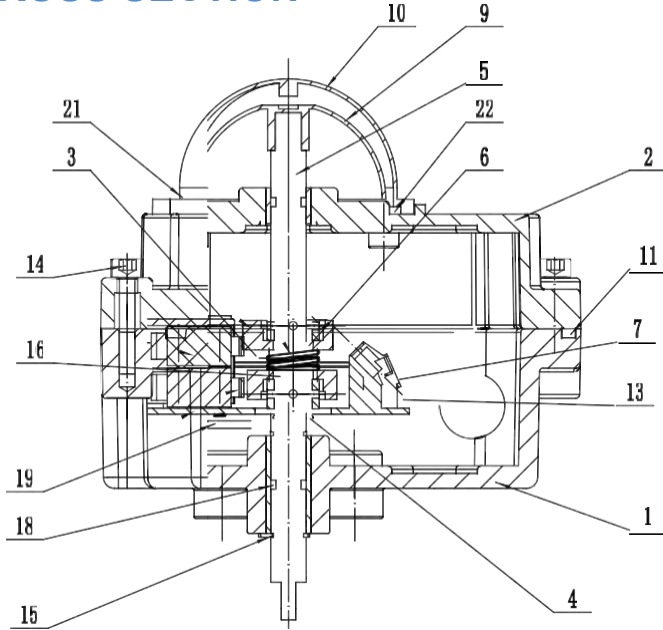


ORDERING OPTIONS

Series	Switch	Conduit Entry	Bracket	Body/Cover	Certificates																						
VTL-B Explosion Proof		<table border="1"> <thead> <tr> <th>Entry</th> <th>Threads</th> <th>VTL -B</th> </tr> </thead> <tbody> <tr> <td>1</td> <td>½" NPT</td> <td>✓</td> </tr> <tr> <td>2</td> <td>½" G</td> <td>✓</td> </tr> <tr> <td>3</td> <td>M20X1.5</td> <td>✓</td> </tr> <tr> <td>4</td> <td>¾" NPT</td> <td>✓</td> </tr> </tbody> </table>	Entry	Threads	VTL -B	1	½" NPT	✓	2	½" G	✓	3	M20X1.5	✓	4	¾" NPT	✓	<table border="1"> <tbody> <tr> <td>US</td> <td>Universal</td> </tr> <tr> <td>P</td> <td>Universal</td> </tr> <tr> <td>S-1</td> <td>30 X 80 X 20mm</td> </tr> <tr> <td>S-2</td> <td>30 X130 X 30mm</td> </tr> </tbody> </table>	US	Universal	P	Universal	S-1	30 X 80 X 20mm	S-2	30 X130 X 30mm	ATEX
Entry	Threads	VTL -B																									
1	½" NPT	✓																									
2	½" G	✓																									
3	M20X1.5	✓																									
4	¾" NPT	✓																									
US	Universal																										
P	Universal																										
S-1	30 X 80 X 20mm																										
S-2	30 X130 X 30mm																										
				<table border="1"> <tbody> <tr> <td>B</td> <td>Aluminum-Blue</td> </tr> <tr> <td>Y</td> <td>Aluminum-Yellow</td> </tr> <tr> <td>D</td> <td>Aluminum-Black</td> </tr> <tr> <td>S</td> <td>CF8M Stainless Steel</td> </tr> </tbody> </table>	B	Aluminum-Blue	Y	Aluminum-Yellow	D	Aluminum-Black	S	CF8M Stainless Steel															
B	Aluminum-Blue																										
Y	Aluminum-Yellow																										
D	Aluminum-Black																										
S	CF8M Stainless Steel																										
					<table border="1"> <thead> <tr> <th>CODE</th> <th>MAKE</th> <th>MODEL</th> <th>RATING</th> </tr> </thead> <tbody> <tr> <td>500</td> <td>COMUS</td> <td></td> <td>2Amps, 220V AC/DC, 50Hz/60Hz, NO/NC</td> </tr> <tr> <td>510</td> <td>COMUS</td> <td></td> <td>20 mA 0-48 VDC, up to 100mA, 0-220 VAC</td> </tr> </tbody> </table>	CODE	MAKE	MODEL	RATING	500	COMUS		2Amps, 220V AC/DC, 50Hz/60Hz, NO/NC	510	COMUS		20 mA 0-48 VDC, up to 100mA, 0-220 VAC										
CODE	MAKE	MODEL	RATING																								
500	COMUS		2Amps, 220V AC/DC, 50Hz/60Hz, NO/NC																								
510	COMUS		20 mA 0-48 VDC, up to 100mA, 0-220 VAC																								

VTL-B -Explosion Proof COMUS sealed SPDT Switch

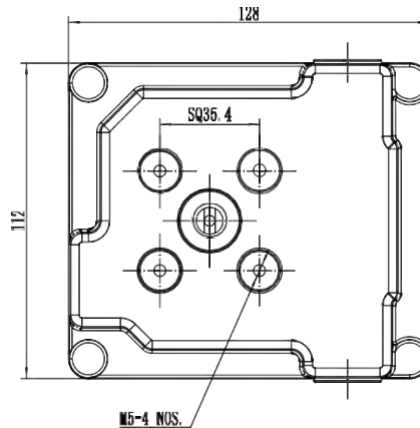
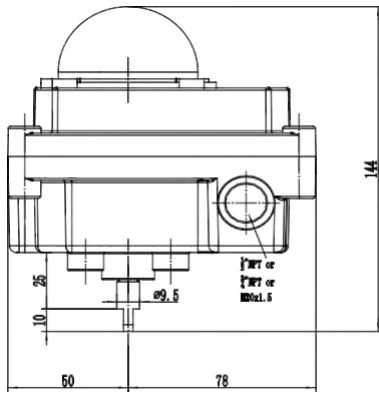
CROSS SECTION



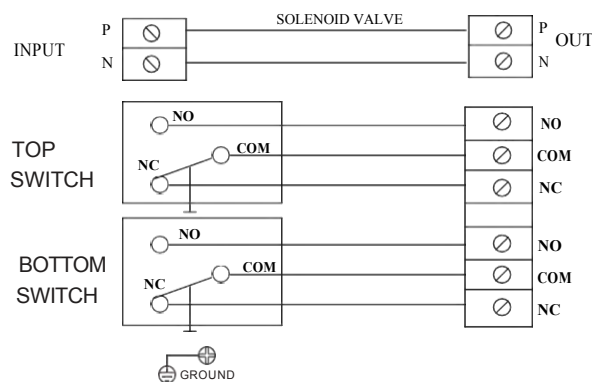
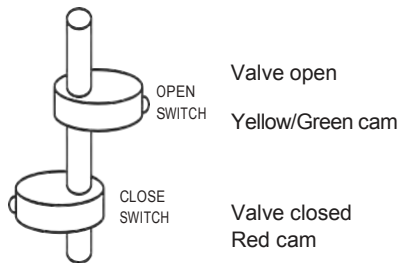
MATERIAL OF CONSTRUCTION

22	O'RING	1	NBR
21	PHILIPS HEAD SCREW	4	STAINLESS STEEL
20	SCREW FOR EARTHING	2	STAINLESS STEEL
19	CIRCUIT BOARD	1	-
18	O'RING	2	NBR
17	CAM INSERT	1	POLYAMIDE
16	SPRING	1	STAINLESS STEEL
15	'E' TYPE CIRCLIP	1	SPRING STEEL
14	SCREW FOR COVER	4	STAINLESS STEEL
13	SCREW FOR CONN STRIP	2	STAINLESS STEEL
12	SCREW FOR MICROSWITCH	2	STAINLESS STEEL
11	GASKET	1	NBR
10	INDICATOR COVER	1	POLYCARBONATE
9	INDICATOR	1	ABS PLASTIC
8	CONNECTOR STRIP-6WAY	1	POLYIMIDE
7	REED SWITCH ASSEMBLY	2	-
6	SPRING DOWEL	2	SPRING STEEL
5	SHAFT	1	STAINLESS STEEL
4	CAM-LOCK	2	POM
3	CAM	2	POLYCARBONATE
2	COVER	1	ALUMINUM ALLOY
1	HOUSING	1	ALUMINUM ALLOY
S.NO.	DESCRIPTION	QTY.	MATERIAL

DIMENSION DETAILS



WIRING DIAGRAM



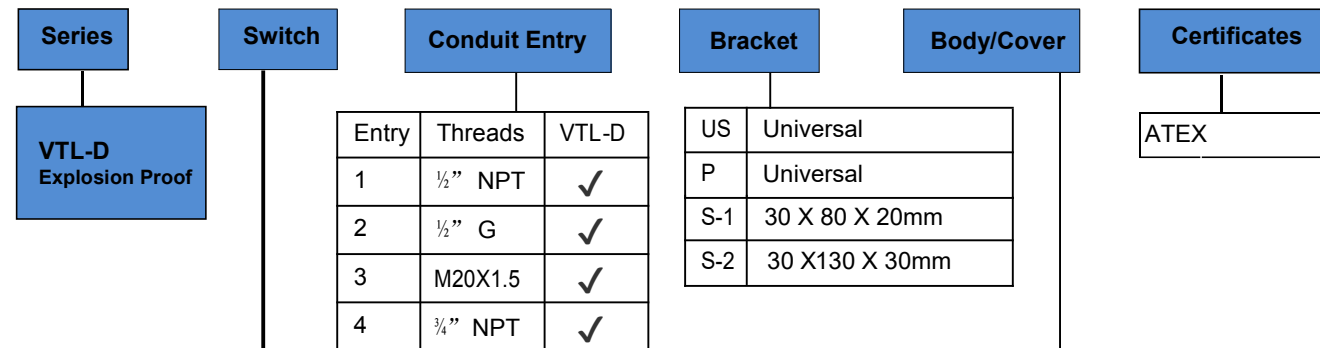
VTL-D -Explosion Proof Series



FEATURES

- Explosion proof to I, IIA, IIB, and IIC
- Aluminum die cast enclosure, powder coated for superior corrosion resistance
- Weather proof enclosure to IP68
- Poly carbonate Dome, Shatterproof
- Red and Yellow/Green Indicator
- Color coded cams easy to identify, and easy to set
- Serrated cams locked together ensures adjusted settings secured against any vibration
- Special circuit board eliminates internal wiring
- Circuit board laminated for complete corrosion protection
- Solenoid termination inside the switch box is standard
- Two conduit entries provided as standard
- Conduit entry options : ½” NPT, ½” G, M20X1.5, ¾” NPT
- Complies to Namur mounting standard
- Temperature range -15°C to 80°C
- Bracket available as option

ORDERING OPTIONS

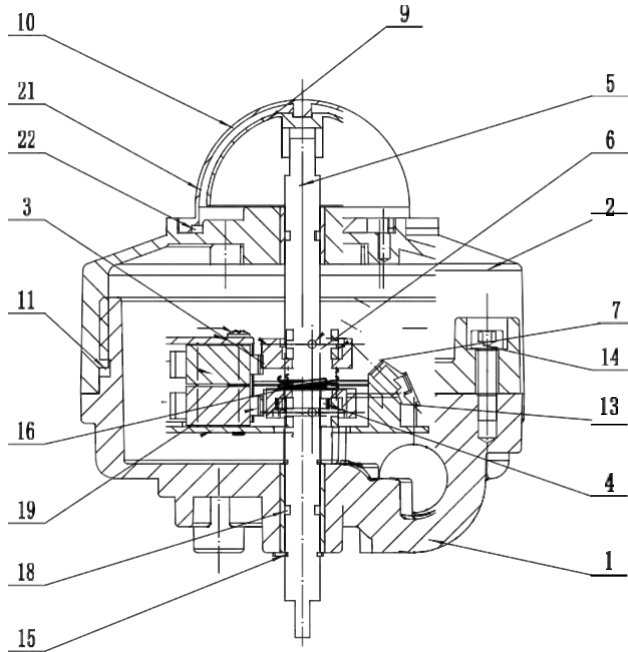


编号	生厂商	型号	规格
200	Donghai	KW3-0Z-C11A203	10Amp 120 or 250 VAC, 220 VDC 50Hz/60Hz, NO/NC
210	Donghai	KW3-0Z-C11A233	16Amp 120 or 250 VAC, 220 VDC 50Hz/60Hz, NO/NC
220	Cherry	D45X D459-V1LD	15Amp 120 or 250 VAC, 220 VDC 50Hz/60Hz, NO/NC
230	P & F	NJ2 12 GMN	8 VDC, NC
231	P & F	NCB2 12GMN35 NO	8V, 24V, 100 mA, NO IS
232	P & F	NBN4 12GMN40 Z0	6V-24V, 100 mA, NO IS
233	P & F	NCN4 12GMN35 NO	8 VDC, NC
234	P & F	NJ4 12GM50 WO	220VAC 200mA 50/60Hz, NC
235	P & F	NJ2 V3N	8 VDC, 3mA, NCIS
236	P & F	NBB3 V3 Z4	10-60VDC 100mA, NO
237			2 x SPDT 16A 125/250VAC Position Transmitter: 4-20mA(output)
300	Donghai	KW3-0Z-B117023	5Amp 120 or 250 VAC, 220 VDC NO/NC
310	Donghai	KW3-0Z-B117053	10Amp 120 or 250 VAC, 220 VDC NO/NC
320	Cherry	D43 CQ1 RA	5Amp 120 or 250 VAC, 220 VDC NO/NC
330	Cherry	D45 CQ1 RA	16Amp 120 or 250 VAC, 220 VDC NO/NC
400	Donghai	KW4-3Z 3B122023	5Amp 120 or 250 VAC, 220 VDC NO/NC

B	Aluminum-Blue
Y	Aluminum-Yellow
D	Aluminum-Black
S	CF8M Stainless Steel

VTL-D -Explosion Proof Series

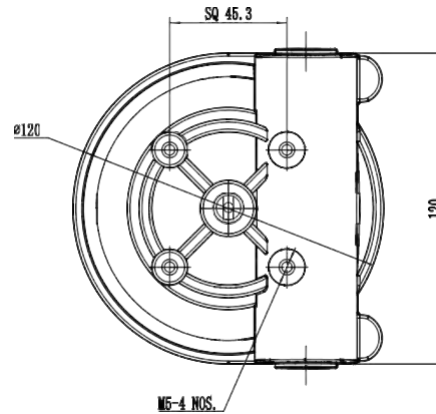
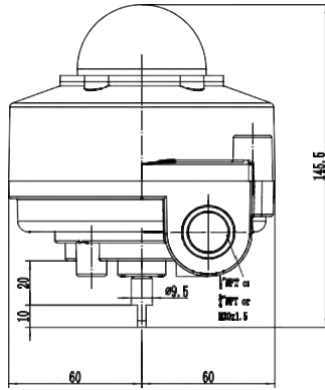
CROSS SECTION



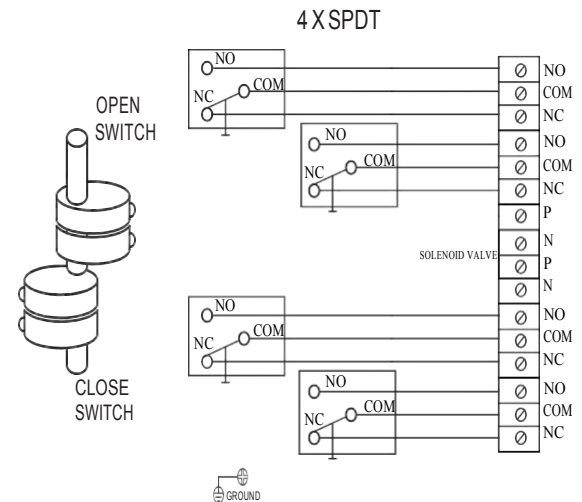
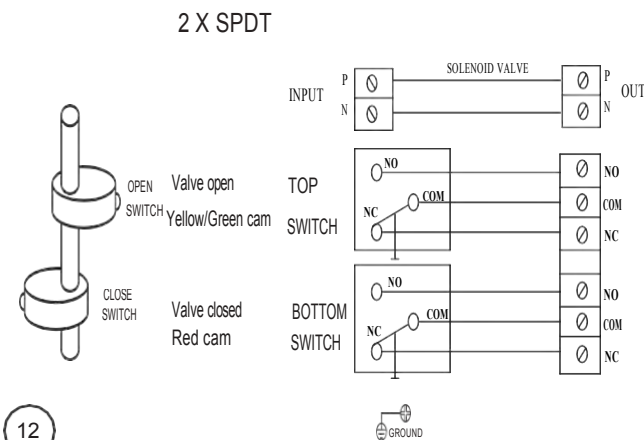
MATERIAL OF CONSTRUCTION

22	O'RING	1	NBR
21	PHILIPS HEAD SCREW	4	STAINLESS STEEL
20	SCREW FOR EARTHING	2	STAINLESS STEEL
19	CIRCUIT BOARD	1	-
18	O'RING	2	NBR
17	PAD	1	POLYAMIDE
16	SPRING	1	STAINLESS STEEL
15	'E' TYPE CIRCLIP	1	SPRING STEEL
14	SCREW FOR COVER	4	STAINLESS STEEL
13	SCREW FOR CONN STRIP	2	STAINLESS STEEL
12	SCREW FOR MICROSWITCH	2	STAINLESS STEEL
11	GASKET	1	NBR
10	INDICATOR COVER	1	POLYCARBONATE
9	INDICATOR	1	ABS PLASTIC
8	CONNECTOR STRIP-6WAY	1	POLYIMIDE
7	MICROSWITCH (SPDT)	2	-
6	SPRING DOWEL	2	SPRING STEEL
5	SHAFT	1	STAINLESS STEEL
4	CAM-LOCK	2	POM
3	CAM	2	POLYCARBONATE
2	COVER	1	ALUMINUM ALLOY
1	HOUSING	1	ALUMINUM ALLOY
S.NO.	DESCRIPTION	QTY.	MATERIAL

DIMENSION DETAILS



WIRING DIAGRAM



Notice

Pressure-temperature ratings and other performance data published in this catalog have been developed from our design calculation, in-house testing, field reports provided by our customers and/or published official standards or specifications. They are good only to cover typical applications as a general guideline to users of VTORK products introduced in this catalog. For any specific application, users are kindly requested to contact VTORK for technical advice, or to carry out their own study and evaluation for proving suitability of these products to such an application. Failure to follow this request could result in property damage and/or personal injury, for which we shall not be liable. While this catalog has been compiled with the utmost care, we assume no responsibility for errors, impropriety or inadequacy. Any information provided in this catalog is subject to from-time-to-time change without notice for error rectification, product discontinuation, design modification, new product introduction or any other cause that VTORK considers necessary. This edition cancels all previous issues.

The final interpretation right of this sample belongs to VTORK Technology(Wuxi) Co.,Ltd.

 **无锡纬途流体科技有限公司**
VTORK Technology (Wuxi) Co., Ltd.

No.55 Lianhe Road, Hudai Industrial Park, Binhu District, Wuxi, Jiangsu Province, China
Tel: 0510-85581533 Fax: 0510-85581532 E-mail: info@vtork.cn Website: www.vtork.cn