

# Quick Exhaust Valve

## SQV Series

### Features

SQV series quick exhaust valve is used for pneumatic actuator that need to discharge the cylinder pressure, so that the actuator can act quickly.

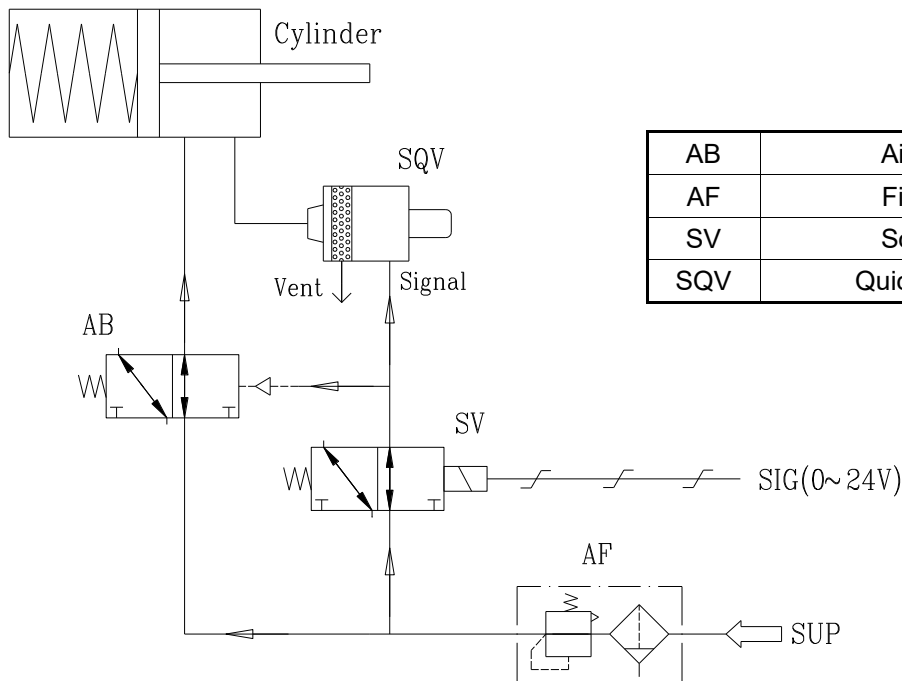
- Compact structure design with high reliability.
- Large exhaust Cv capacity and can be adjustable.
- Only for exhaust application, so it must be used together with air spool valve.



### Specifications

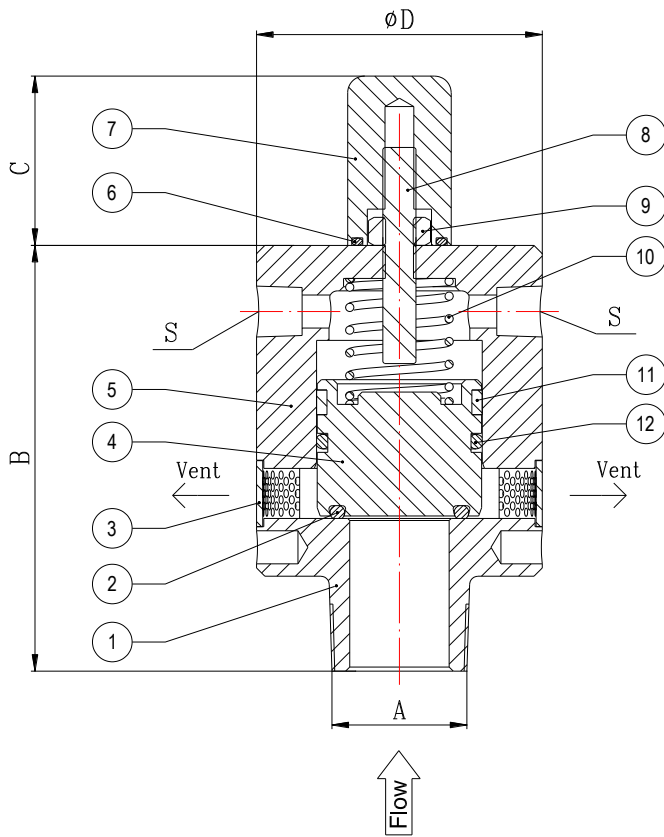
Model	Port Size	Exhaust Cv	Cylinder Pressure Range	Signal Pressure Range	Temperature	Fluid
<b>SQV-06-A</b>	3/4 NPT	14	0~8 barg	≥Cylinder Pressure	-30~+80℃	Air, N <sub>2</sub>
<b>SQV-10-A</b>	1 NPT	25				
<b>SQV-14-A</b>	1-1/2 NPT	50				

### Typical Applications



AB	Air spool valve
AF	Filter regulator
SV	Solenoid valve
SQV	Quick exhaust vale

# Construction and Dimensions



## • Main Parts and Materials

No.	Description	Material
1	Seat	Stainless steel
2	Seal ring	NBR
3	Net cage	Stainless steel
4	Plug	Aluminum alloy
5	Body	Aluminum alloy
6	O ring	NBR
7	Cap	Aluminum alloy
8	Adjust screw	Stainless steel
9	Lock nut	Stainless steel
10	Spring	Stainless steel
11	Guide ring	RPTFE
12	Seal ring	NBR

## • Dimensions

(mm)

Model	A	B	C	ΦD	Signal port S
<b>SQV-06-A</b>	3/4 NPT	99	41	69	1/4 NPT
<b>SQV-10-A</b>	1 NPT	103	41	69	1/4 NPT
<b>SQV-14-A</b>	1-1/2 NPT	115	41	84	1/4 NPT

Note:

1. Select one of two signal ports.
2. Dimension C is the effective adjustment range.